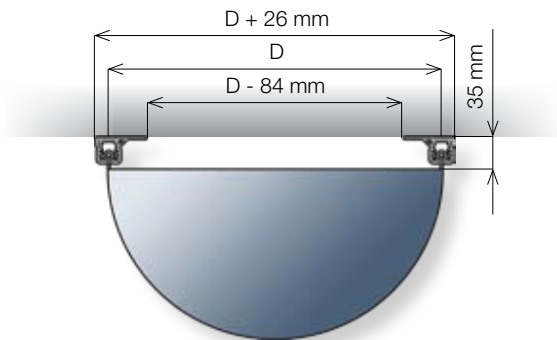
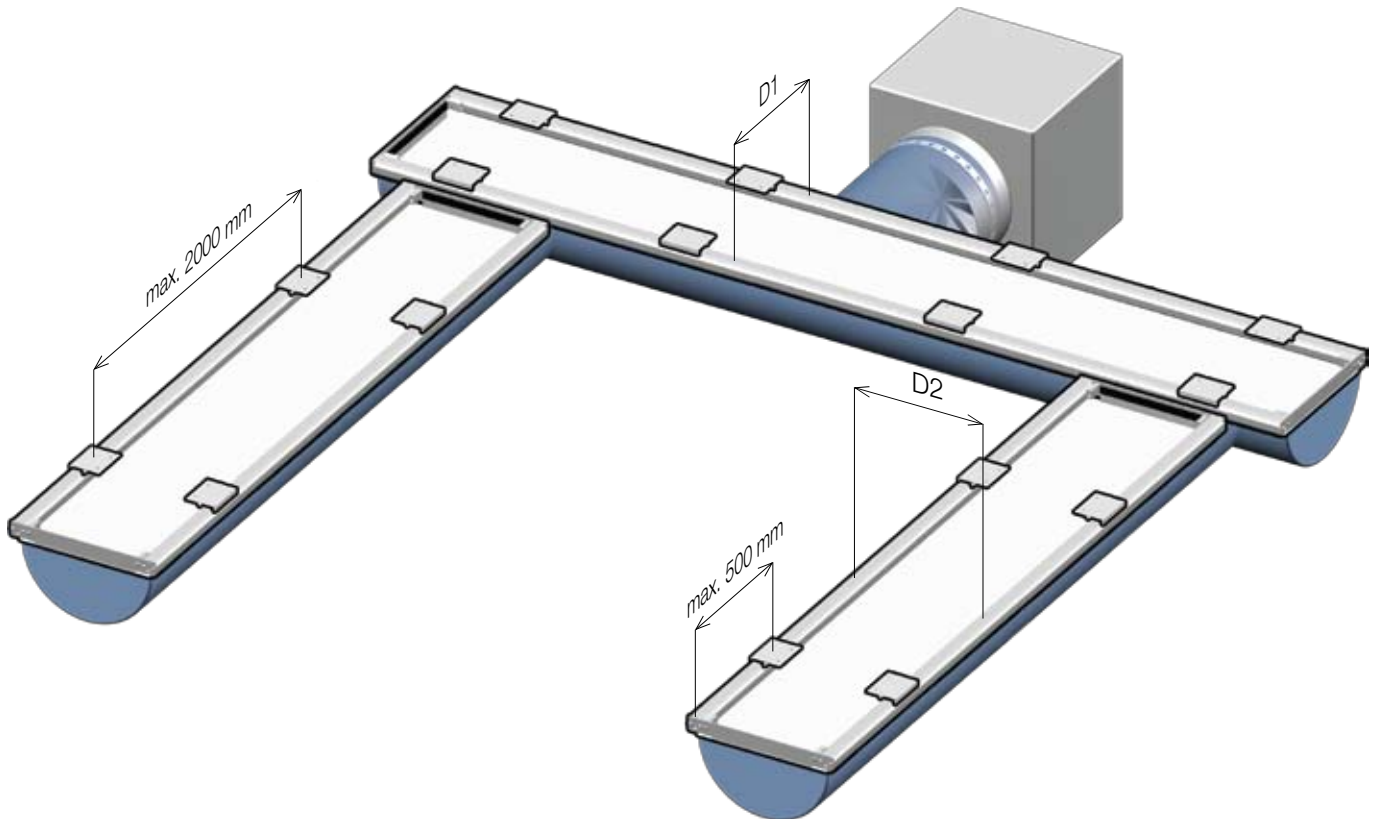


# D-SafeTrack

SafeCeil standard suspension



Alternative inlet options are available.  
Please contact KE Fibertec for more details.

The D-SafeTrack is supplied in cut lengths to match the textile duct and is packed with the necessary components and marked individually with exact indication of placement.

KE Fibertec suggest the D-SafeTrack for KE-Interior® systems exceeding D 800 mm or for industrial applications where the ceiling material is unknown. The D-SafeTrack is the optimum solution where KE-Interior® systems are mounted below the ceiling surface (see alternative suspensions).

Not included in the delivery: Screws for ceiling attachment.

