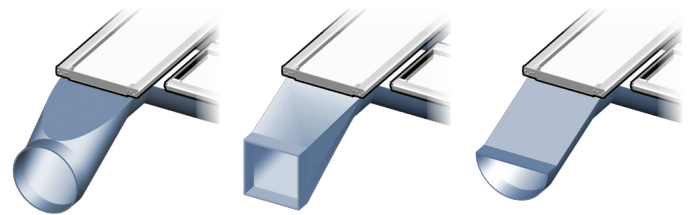
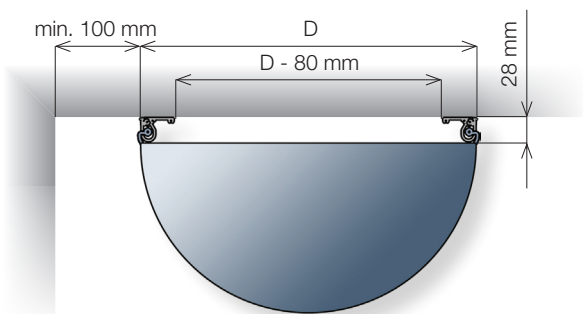
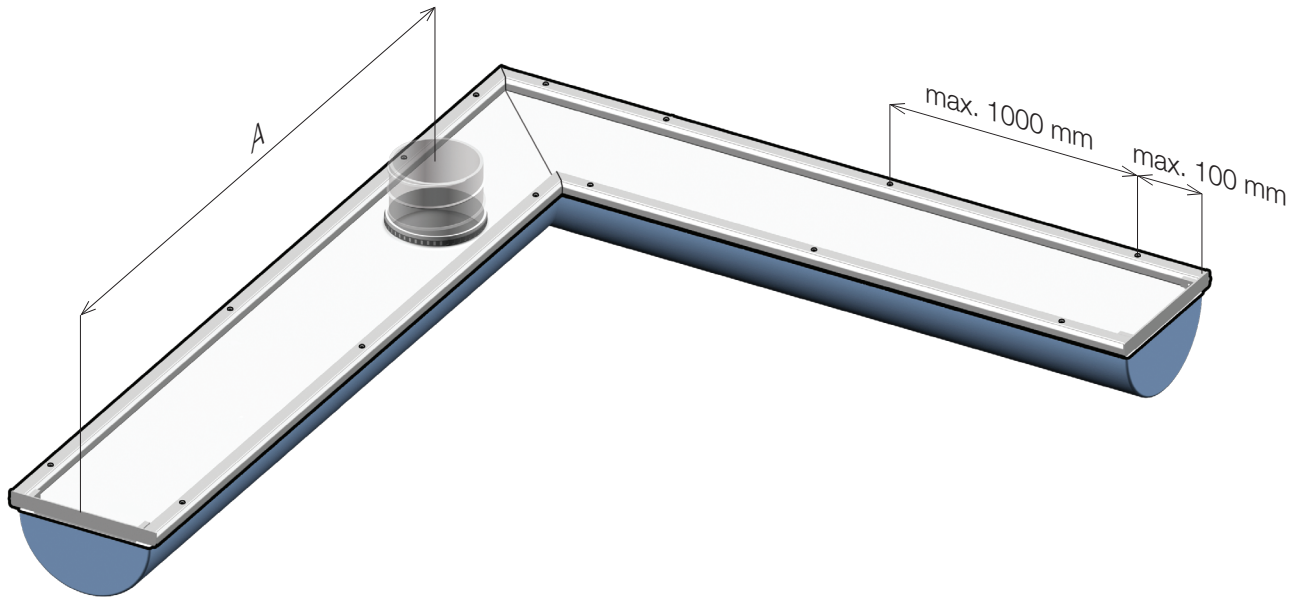


# D-Alu



Alternative inlet options are available.  
Please contact KE Fibertec for more details.

The D-Alu rails are supplied in cut lengths matching the textile duct, packed with the necessary components and marked individually with exact indication of placement.

KE Fibertec suggest the D-Alu rail for rooms with high demands on finish and appearance and for KE-Interior® systems with sharp-angled bendings. The specially developed locking profile system is well suited for both horizontal and vertical ducts. May be applied in rooms with difficult access.

Not included in the delivery: Screws for ceiling attachment.

